



Home | Products | Dealers/Distributors | Order Literature | Product Manuals | FAQ's | Warranty | Latest News | Contact Us | SiteMap

GX Series Commercial Grade

**GX120**



Click to enlarge

**Features**

- Honda 4HP OHV Commercial-grade engine
- Horizontal shaft
- Automatic decompression/Oil Alert
- EPA/CARB compliant
- 2 Year Commercial Warranty

**Applications:** Edgers, Pumps, Reel-type lawn mowers, Agricultural equipment, Greens mowers, Small construction equipment Rammers (compaction equipment)

[View Specifications](#)  
[View Curve](#)  
[View Dimensions](#)

**Specifications**

Horsepower**	4					
Type	T1					
Variation	QA2*	QX2	QXC9	QXS2(1)	<b>HX2*</b>	TX2
Oil Alert®		•	•	•	•	•
Crankshaft P.T.O.	2 7/16 x 3/4 dia. tapped 5/16 24 UNF				<b>2 3/64 x 3/4 dia.</b>	2 7/16 x 5/8 threaded
<b>6 to 1 Reduction</b>	•					

**GX Series Commercial Grade**

**OHV Horizontal Shaft**

- GXH50 2.5 HP
- GX100 3 HP
- GX120 4 HP**
- GX160 5.5 HP
- GX200 6.5 HP
- GX240 8 HP
- GX270 9 HP
- GX340 11 HP
- GX390 13 HP

**OHV Vertical Shaft**

- GXV50 2.5 HP
- GXV160 5.5 HP
- GXV340 11 HP
- GXV390 13 HP

**V-Twin**

**OHV Horizontal Shaft**

- GX610 18 HP
- GX620 20 HP
- GX670 24 HP

**V-Twin**

**OHV Vertical Shaft**

- GXV530 16 HP
- GXV610 18 HP
- GXV620 20 HP
- GXV670 24 HP

**iGX Series - new**

- iGX440 - 15 HP

**GC Series Premium Residential**

**OHC Horizontal Shaft**

- GC160 5 HP
- GC190 6 HP
- GS190 6 HP

**OHC Vertical Shaft**

- GCV160 5.5 HP

(no clutch)

Top Speed Governed Speed - No Load

3900

Recoil Starter

•

Transistor Ignition

•

Air Cleaner

OB

DE

CY

DE

DE

DE

Fuel Tank (QT)

2.64

Net Weight

29 lbs

29 lbs

30 lbs

29 lbs

35 lbs

29 lbs

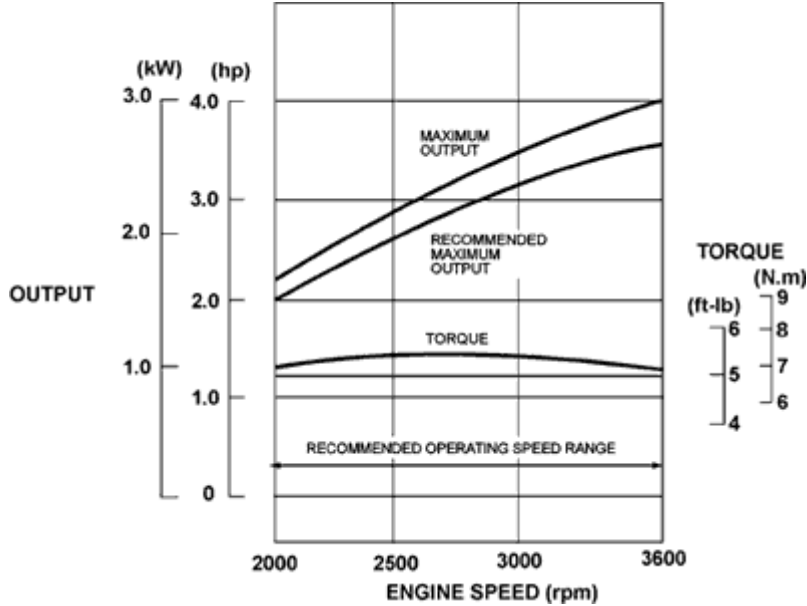
GCV190 6.5 HP  
GSV190 6.5 HP

**Mini 4-Stroke**  
GX25 1.1 HP  
GX35 1.5 HP

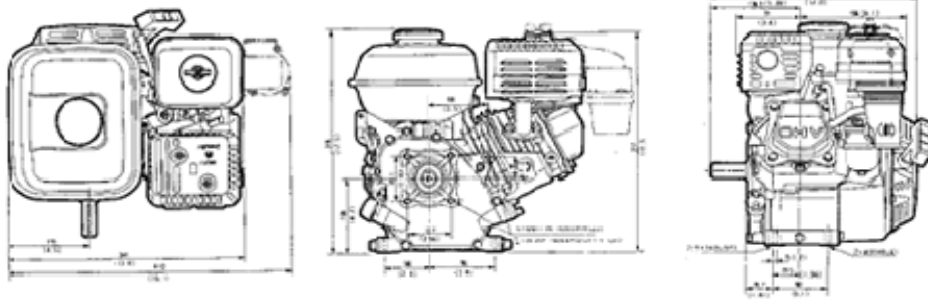
Notes:

Some notes may not be applicable for this model.  
(1) 12V (AC)-50w.lamp coil  
(2) 10 amp charging  
SD Semi dry, OB Oil bath, DE Dual Element, CY Cyclone  
\*These models can also be ordered with inner-vent carbuetors.

### Performance Curve



### Dimensions



[Click on image above to enlarge.](#)



Made by [Honda](#)

**4 HP 3/4" Horizontal Keyed Shaft, Low Oil Shutdown, OHV, CIS, Recoil Start, 6:1 Gear Reduction**

---

Product Number: **GX120HX**

**4 HP OHV Recoil**

**Overhead Valve Design**

**Cast Iron Cylinder Sleeve**

Mounting: **Horizontal**

Electric Start: **No**

**Low Oil Shutdown**

Fuel Tank: **2.6 Quart**

Oil Capacity: **.63 Quart**

Oil Type: **SAE 10w-30**

**Shaft Size: 3/4" diameter**

**Gear Reduction: 6:1**

Muffler: **Included**

Height: **12.5"**

Depth (Less Shaft): **9.5"**

Width: **12.5"**

Shipping Weight: **39 Pounds**

Condition: **New**

Warranty: **2-Year Manufacturer's Warranty**

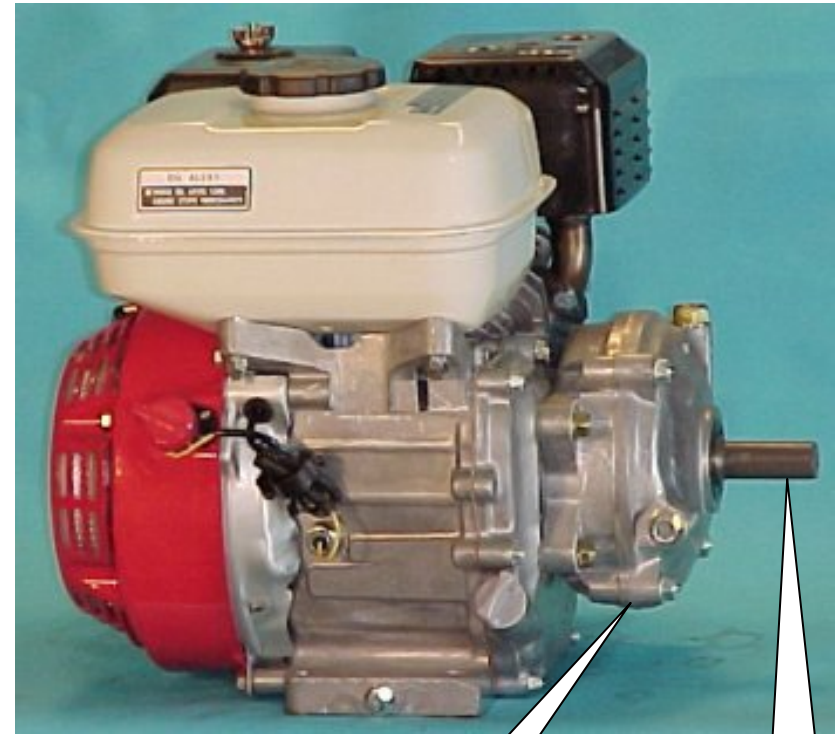
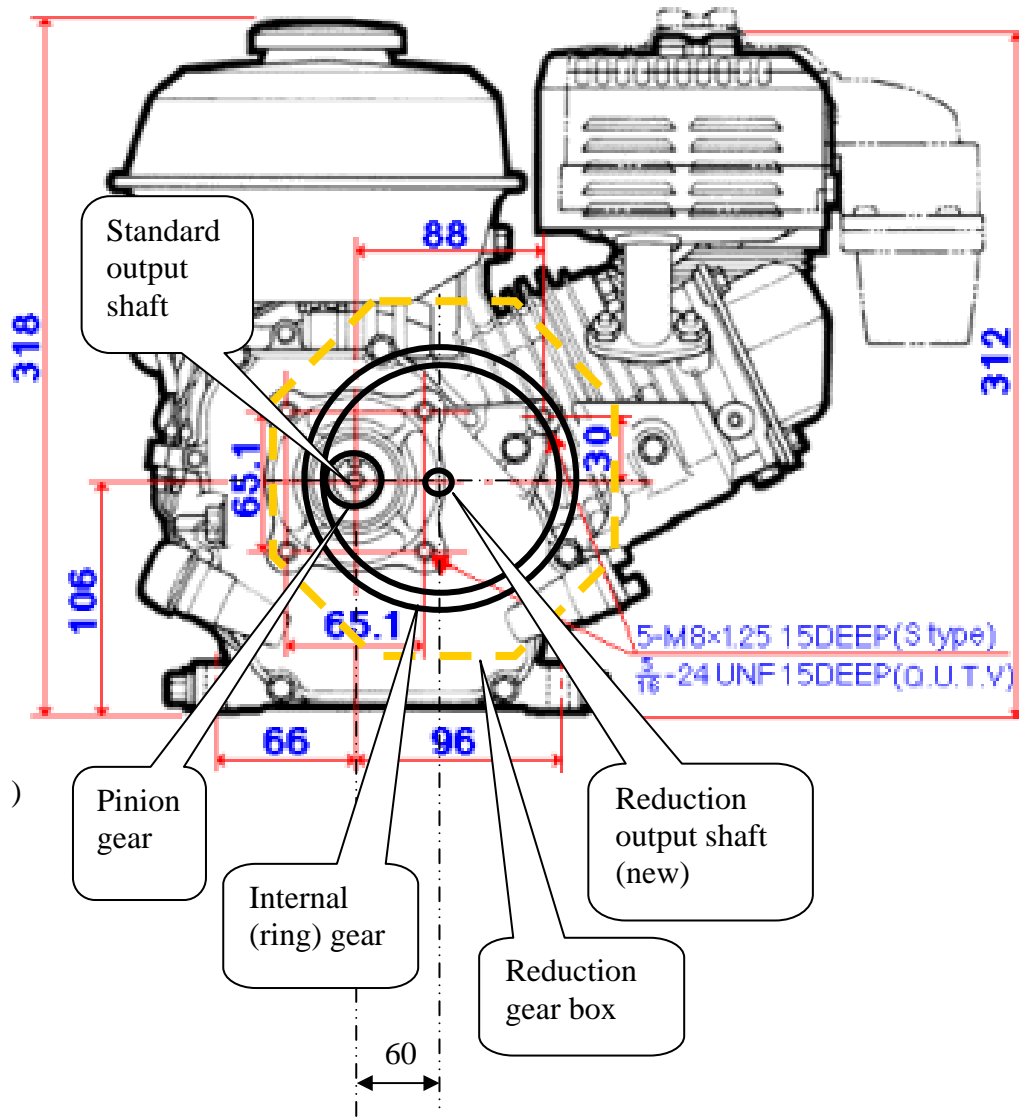
Returns: [Limited Allowed](#)

---

List Price: **\$487.00**

Our Price: **\$400.00**





Reduction gear box

Reduction output shaft

